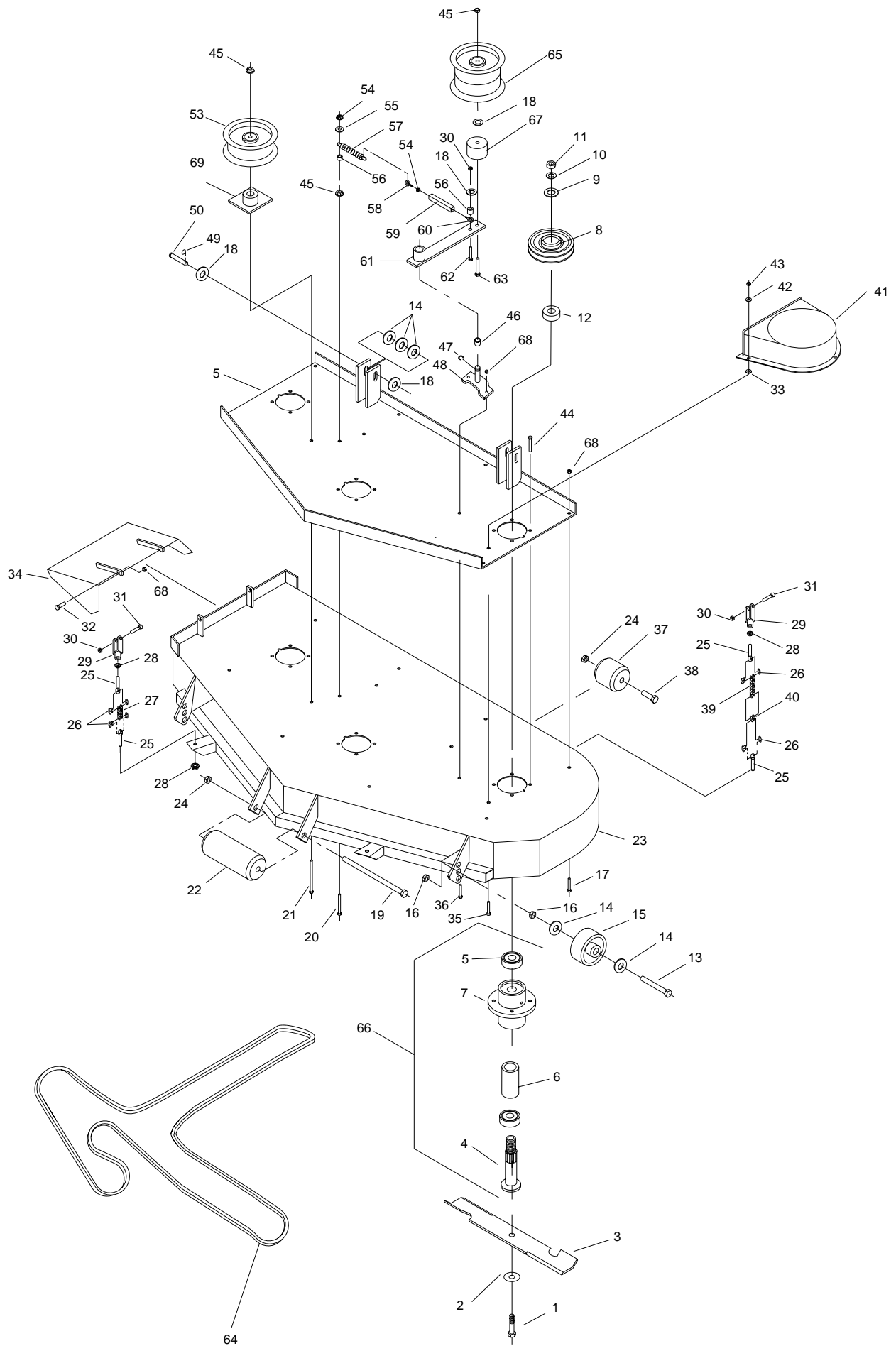




42K450Z

**PARTS
MANUAL**





Z42

Deck Assembly

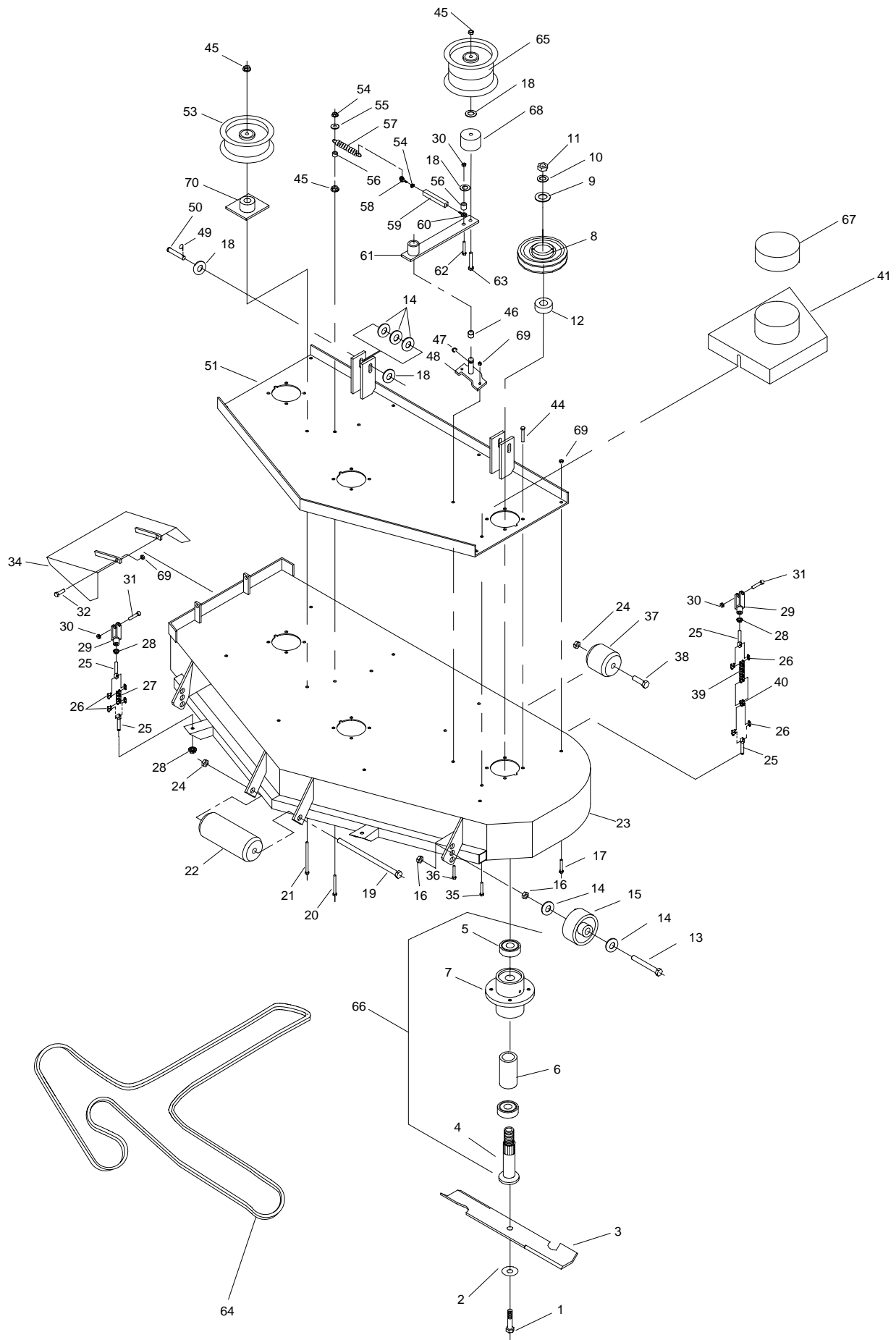
| # | PART NO. | QTY. | NAME | | |
|----|----------|------|------------------------------|--|--|
| 1 | 100355 | 3 | 5/8-11 X 1 1/4 HHCS | | |
| 2 | 583108 | 3 | 5/8 DISC SPRING WASHER | | |
| 3 | 423029 | 3 | 14.25" H.L. BLADE | | |
| 4 | 583112 | 3 | SPINDLE SHAFT | | |
| 5 | 363350 | 6 | SPINDLE BEARING | | |
| 6 | 583113 | 3 | BEARING SPACER TUBE | | |
| 7 | 583111 | 3 | SPINDLE HOUSING | | |
| 8 | 423262 | 3 | 5" HEX PULLEY | | |
| 9 | 105269 | 3 | 3/4 FLAT WASHER SAE | | |
| 10 | 105010 | 3 | 3/4 LOCK WASHER | | |
| 11 | 104511 | 3 | 3/4 HEX NUT | | |
| 12 | 583110 | 3 | PULLEY SPACER | | |
| 13 | 100335 | 2 | 1/2-13 X 4" LG | | |
| 14 | 105264 | 9 | 1/2 STD FLAT WASHER | | |
| 15 | 423023 | 2 | DECK ROLLER | | |
| 16 | 104509 | 4 | 1/2-13 HEX NUT | | |
| 17 | 107503 | 9 | 5/16-18 X 3/4 CARRIAGE BOLT | | |
| 18 | 105260 | 5 | 3/8 STD FLAT WASHER | | |
| 19 | 100352 | 1 | 5/8-11 X 9" LG | | |
| 20 | 107508 | 1 | 5/16-18 X 2 CARRIAGE BOLT | | |
| 21 | 107506 | 2 | 3/8-16 X 3 1/4 CARRIAGE BOLT | | |
| 22 | 603023 | 1 | FRONT ANTISCALP ROLLER | | |
| 23 | 422094 | 1 | 42" DECK | | |
| 24 | 104261 | 2 | 5/8 -11 NYLOC | | |
| 25 | 523125 | 8 | ANCHOR STUD | | |
| 26 | 523123 | 8 | CONNECTOR LINK | | |
| 27 | 423180 | 2 | FRONT LIFT CHAIN | | |
| 28 | 109008 | 8 | 3/8-24 WHIZLOCK | | |
| 29 | 363192 | 4 | LARGE YOKE | | |
| 30 | 104257 | 4 | 3/8-16 NYLOC | | |
| 31 | 100294 | 4 | 3/8-16 X 1 1/2" | | |
| 32 | 100273 | 2 | 5/16-18 X 1 HHCS | | |
| 33 | 109011 | 6 | 1/4" RETAINING CLIP | | |
| 34 | 422070 | 1 | GRASS DEFLECTOR | | |
| 35 | 107510 | 6 | 1/4-20 X 1 CARRIAGE BOLT | | |
| 36 | 107509 | 2 | 5/16-18 X 1 CARRIAGE BOLT | | |
| 37 | 523084 | 1 | REAR DECK ROLLER | | |
| 38 | 100346 | 1 | 5/8-11 X 4 1/2 | | |
| 39 | 423181 | 2 | REAR LEFT CHAIN | | |
| 40 | 423199 | 2 | #40 HALF LINK | | |
| 41 | 423076 | 1 | LEFT BELT GUARD | | |
| 41 | 423077 | 1 | RIGHT BELT GUARD | | |
| 42 | 105256 | 6 | 1/4 STD FLAT WASHER | | |

Z42

Deck Assembly

| # | PART NO. | QTY. | NAME | | |
|----|----------|------|-----------------------|--|--|
| 43 | 104255 | 6 | 1/4-20 NYLOC | | |
| 44 | 100274 | 12 | 5/16-18 X 1 1/4 HHCS | | |
| 45 | 109007 | 4 | 3/8-16 WHIZLOCK NUT | | |
| 46 | 363089 | 3 | BRONZE BUSHING | | |
| 47 | 108509 | 1 | E-RING | | |
| 48 | 522104 | 1 | OFFSET PIVOT | | |
| 49 | 106763 | 2 | 1/8" COTTER PIN | | |
| 50 | 523242 | 2 | 7/16 CLEVIS PIN-LONG | | |
| 51 | 422002 | 1 | 42" SUB-PLATE W/DMT | | |
| 53 | 523329 | 2 | FLAT IDLER | | |
| 54 | 109001 | 2 | 5/16-18 WHIZLOCK | | |
| 55 | 105258 | 1 | 5/16 STD FLAT WASHER | | |
| 56 | 363174 | 2 | EYEBOLT SPACER | | |
| 57 | 523327 | 1 | FLOATING IDLER SPRING | | |
| 58 | 363080 | 1 | EYEBOLT-RIGHT | | |
| 59 | 363172 | 1 | TURNBUCKLE BODY | | |
| 60 | 363082 | 1 | EYEBOLT-LEFT | | |
| 61 | 422108 | 1 | TENSIONER W/BUSHING | | |
| 62 | 100293 | 1 | 3/8-16 X 1 1/4 HHCS | | |
| 63 | 100300 | 1 | 3/8-16 X 3 HHCS | | |
| 64 | 423018 | 1 | DECK DRIVE BELT | | |
| 65 | 373068 | 1 | ENGAGEMENT IDLER | | |
| 66 | 583106 | 3 | SPINDLE ASSEMBLY | | |
| 67 | 483017 | 1 | RT HAND IDLER SPACER | | |
| 68 | 104256 | 6 | 5/16-18 NYLOC NUT | | |
| 69 | 422105 | 1 | IDLER MOUNT WELDMENT | | |

Notes:



Z48

Deck Assembly

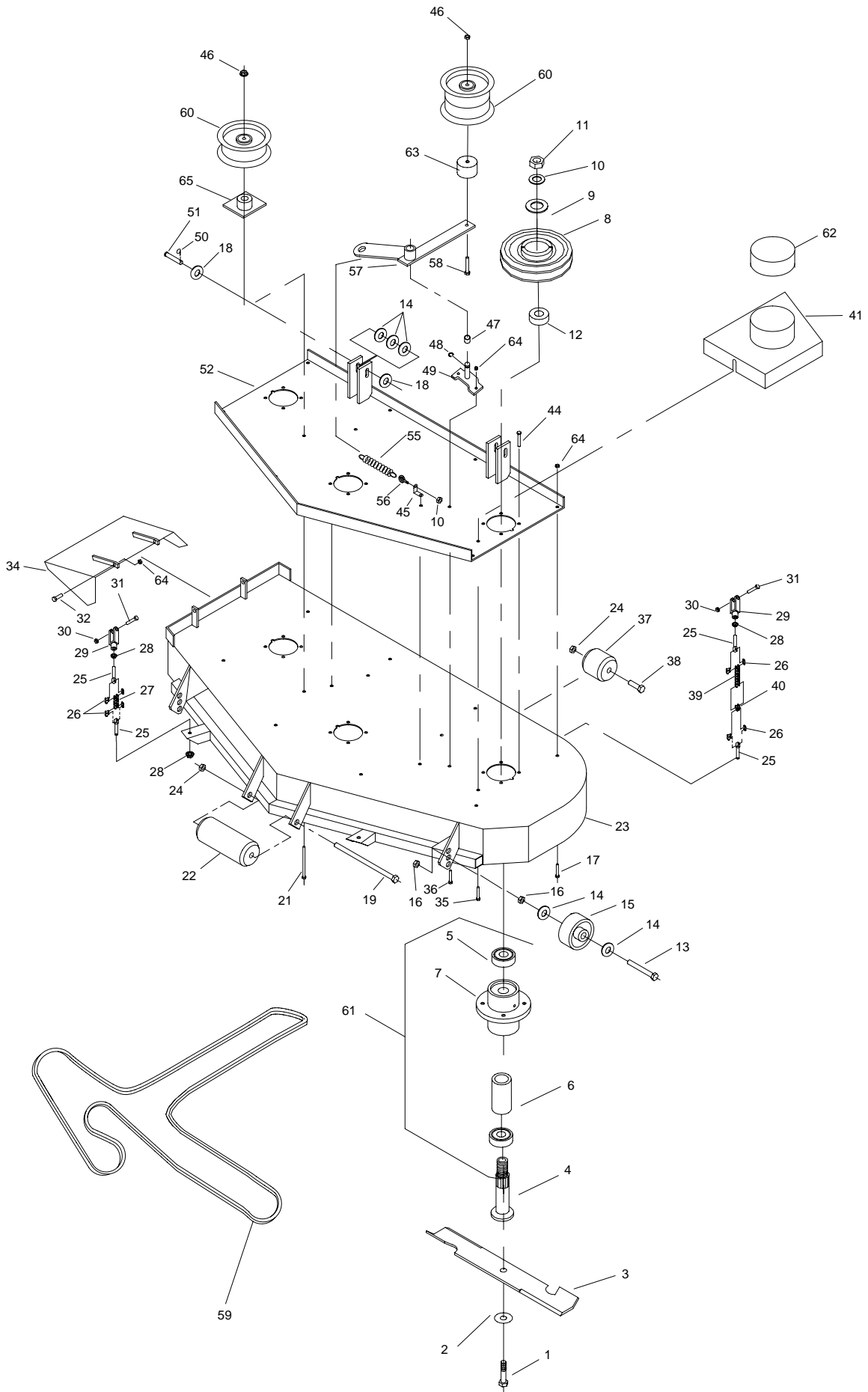
| # | PART NO. | QTY. | NAME | | |
|----|----------|------|------------------------------|--|--|
| 1 | 100355 | 3 | 5/8-11 X 1 1/4 HHCS | | |
| 2 | 583108 | 3 | 5/8 DISC SPRING WASHER | | |
| 3 | 483035 | 3 | 16" BLADE | | |
| 4 | 583112 | 3 | SPINDLE SHAFT | | |
| 5 | 363350 | 6 | SPINDLE BEARING | | |
| 6 | 583113 | 3 | BEARING SPACER TUBE | | |
| 7 | 583111 | 3 | SPINDLE HOUSING | | |
| 8 | 483078 | 3 | 5.75" HEX PULLEY | | |
| 9 | 105269 | 3 | 3/4 FLAT WASHER SAE | | |
| 10 | 105010 | 3 | 3/4 LOCK WASHER | | |
| 11 | 104511 | 3 | 3/4 HEX NUT | | |
| 12 | 583110 | 3 | PULLEY SPACER | | |
| 13 | 100335 | 2 | 1/2-13 X 4" LG | | |
| 14 | 105264 | 9 | 1/2 STD FLAT WASHER | | |
| 15 | 423023 | 2 | DECK ROLLER | | |
| 16 | 104509 | 4 | 1/2-13 HEX NUT | | |
| 17 | 107503 | 9 | 5/16-18 X 3/4 CARRIAGE BOLT | | |
| 18 | 105260 | 5 | 3/8 STD FLAT WASHER | | |
| 19 | 100352 | 1 | 5/8-11 X 9" LG | | |
| 20 | 107508 | 1 | 5/16-18 X 2 CARRIAGE BOLT | | |
| 21 | 107506 | 2 | 3/8-16 X 3 1/4 CARRIAGE BOLT | | |
| 22 | 603023 | 1 | FRONT ANTISCALP ROLLER | | |
| 23 | 482026 | 1 | 48" DECK | | |
| 24 | 104261 | 2 | 5/8" - 11 NYLOC | | |
| 25 | 523125 | 8 | ANCHOR STUD | | |
| 26 | 523123 | 8 | CONNECTOR LINK | | |
| 27 | 423180 | 2 | FRONT LIFT CHAIN | | |
| 28 | 109008 | 8 | 3/8-24 WHIZLOCK | | |
| 29 | 363192 | 4 | LARGE YOKE | | |
| 30 | 104257 | 4 | 3/8-16 NYLOC | | |
| 31 | 100294 | 4 | 3/8-16 X 1 1/2" | | |
| 32 | 100273 | 2 | 5/16-18 X 1 HHCS | | |
| 33 | 109011 | 6 | 1/4" RETAINING CLIP | | |
| 34 | 482017 | 1 | GRASS DEFLECTOR | | |
| 35 | 107510 | 6 | 1/4-20 X 1 CARRIAGE BOLT | | |
| 36 | 107509 | 2 | 5/16-18 X 1 CARRIAGE BOLT | | |
| 37 | 523084 | 1 | REAR DECK ROLLER | | |
| 38 | 100346 | 1 | 5/8-11 X 4 1/2 | | |
| 39 | 423181 | 2 | REAR LEFT CHAIN | | |
| 40 | 423199 | 2 | #40 HALF LINK | | |
| 41 | 482030 | 1 | LEFT BELT GUARD | | |
| 41 | 482032 | 1 | RIGHT BELT GUARD | | |
| 42 | 105256 | 6 | 1/4 STD FLAT WASHER | | |

Z48

Deck Assembly

| # | PART NO. | QTY. | NAME | | |
|----|----------|------|-----------------------|--|--|
| 43 | 104255 | 6 | 1/4-20 NYLOC | | |
| 44 | 100274 | 12 | 5/16-18 X 1 1/4 HHCS | | |
| 45 | 109007 | 4 | 3/8-16 WHIZLOCK NUT | | |
| 46 | 363089 | 3 | BRONZE BUSHING | | |
| 47 | 108509 | 1 | E-RING | | |
| 48 | 522104 | 1 | OFFSET PIVOT | | |
| 49 | 106763 | 2 | 1/8" COTTER PIN | | |
| 50 | 523242 | 2 | 7/16 CLEVIS PIN-LONG | | |
| 51 | 482028 | 1 | 48" SUB-PLATE W/DMT | | |
| 53 | 523329 | 2 | FLAT IDLER | | |
| 54 | 109001 | 2 | 5/16-18 WHIZLOCK | | |
| 55 | 105258 | 1 | 5/16 STD FLAT WASHER | | |
| 56 | 363174 | 2 | EYEBOLT SPACER | | |
| 57 | 523327 | 1 | FLOATING IDLER SPRING | | |
| 58 | 363080 | 1 | EYEBOLT-RIGHT | | |
| 59 | 363172 | 1 | TURNBUCKLE BODY | | |
| 60 | 363082 | 1 | EYEBOLT-LEFT | | |
| 61 | 422108 | 1 | TENSIONER W/BUSHING | | |
| 62 | 100293 | 1 | 3/8-16 X 1 1/4 HHCS | | |
| 63 | 100300 | 1 | 3/8-16 X 3 HHCS | | |
| 64 | 483053 | 1 | DECK DRIVE BELT | | |
| 65 | 373068 | 1 | ENGAGEMENT IDLER | | |
| 66 | 583106 | 3 | SPINDLE ASSEMBLY | | |
| 67 | 363161 | 1 | BELT COVER CAP | | |
| 68 | 483017 | 1 | RT HAND IDLER SPACER | | |
| 69 | 104256 | 6 | 5/16-18 NYLOC NUT | | |
| 70 | 422105 | 1 | IDLER MOUNT WELDMENT | | |

Notes:



Z52

Deck Assembly

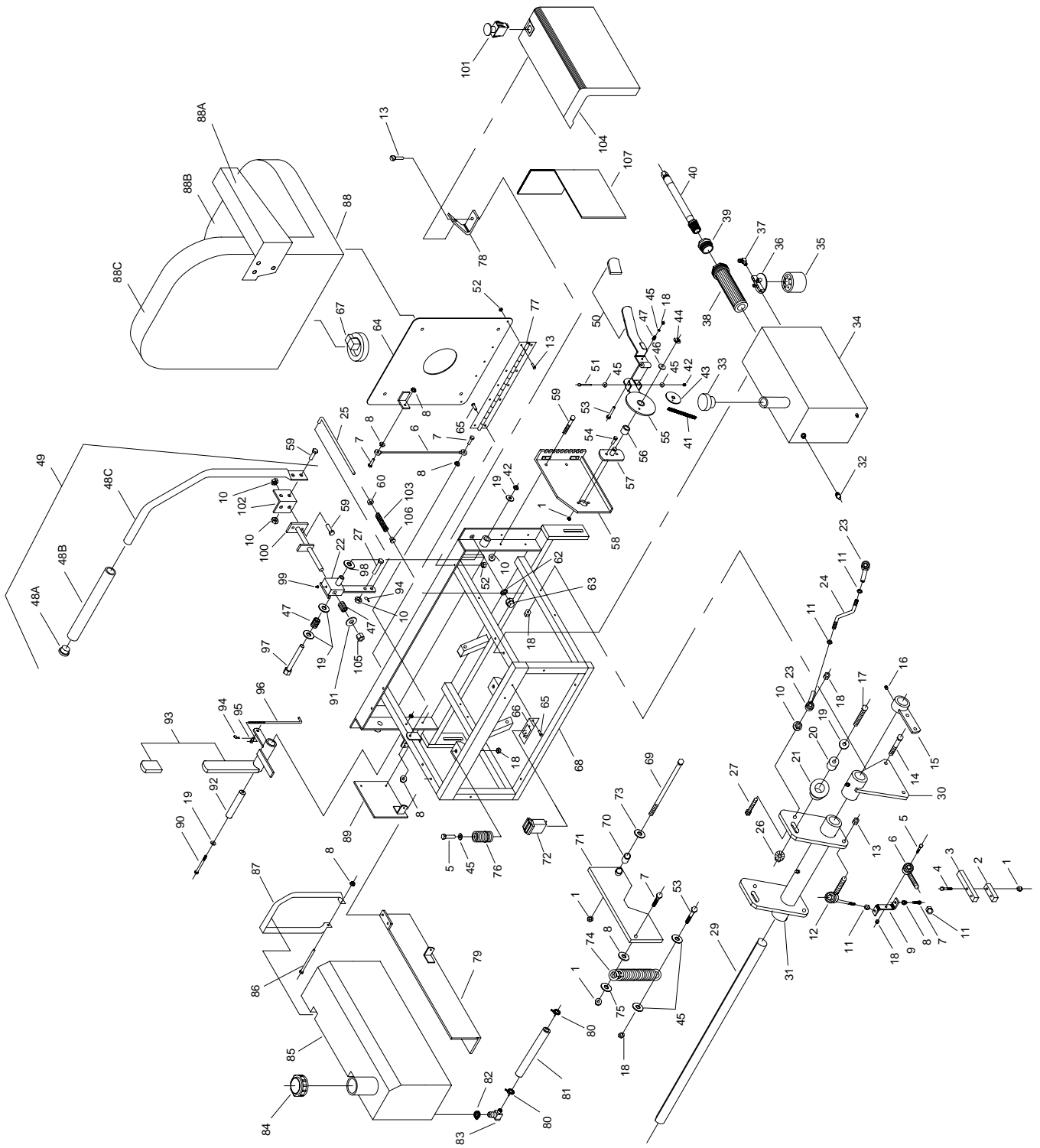
| # | PART NO. | QTY. | NAME | | |
|-----|----------|------|------------------------------|--|--|
| 1 | 100355 | 3 | 5/8-11 X 1 1/4 HHCS | | |
| 2 | 583108 | 3 | 5/8 DISC SPRING WASHER | | |
| 3 | 823004 | 3 | 18" BLADE | | |
| 4 | 583112 | 3 | SPINDLE SHAFT | | |
| 5 | 363350 | 6 | SPINDLE BEARING | | |
| 6 | 583113 | 3 | BEARING SPACER TUBE | | |
| 7 | 583111 | 3 | SPINDLE HOUSING | | |
| 8 | 523496 | 3 | 6.25" HEX PULLEY | | |
| 9 | 105269 | 3 | 3/4 FLAT WASHER SAE | | |
| 10 | 105010 | 3 | 3/4 LOCK WASHER | | |
| 11 | 104511 | 3 | 3/4 HEX NUT | | |
| 12 | 583110 | 3 | PULLEY SPACER | | |
| 13 | 100335 | 2 | 1/2-13 X 4" LG | | |
| 14 | 105264 | 9 | 1/2 STD FLAT WASHER | | |
| 15 | 423023 | 2 | DECK ROLLER | | |
| 16 | 104509 | 4 | 1/2-13 HEX NUT | | |
| 17 | 107503 | 9 | 5/16-18 X 3/4 CARRIAGE BOLT | | |
| 18 | 105260 | 5 | 3/8 STD FLAT WASHER | | |
| 19 | 100352 | 1 | 5/8-11 X 9" LG | | |
| 20 | 107508 | 1 | 5/16-18 X 2 CARRIAGE BOLT | | |
| 21 | 107506 | 2 | 3/8-16 X 3 1/4 CARRIAGE BOLT | | |
| 22 | 603023 | 1 | FRONT ANTISCALP ROLLER | | |
| 23 | 522150 | 1 | 52" DECK | | |
| 24 | 104261 | 2 | 5/8" - 11 NYLOC | | |
| 25 | 523125 | 8 | ANCHOR STUD | | |
| 26 | 523123 | 8 | CONNECTOR LINK | | |
| 27 | 423180 | 2 | FRONT LIFT CHAIN | | |
| 28 | 109008 | 8 | 3/8-24 WHIZLOCK | | |
| 29 | 363192 | 4 | LARGE YOKE | | |
| 30 | 104257 | 4 | 3/8-16 NYLOC | | |
| 31 | 100294 | 4 | 3/8-16 X 1 1/2" | | |
| 32 | 100273 | 2 | 5/16-18 X 1 HHCS | | |
| 33 | 109011 | 6 | 1/4" RETAINING CLIP | | |
| 34 | 582025 | 1 | GRASS DEFLECTOR | | |
| 35 | 107510 | 6 | 1/4-20 X 1 CARRIAGE BOLT | | |
| 36 | 107509 | 2 | 5/16-18 X 1 CARRIAGE BOLT | | |
| 37 | 523084 | 1 | REAR DECK ROLLER | | |
| 38 | 100346 | 1 | 5/8-11 X 4 1/2 | | |
| 39 | 423181 | 2 | REAR LEFT CHAIN | | |
| 41A | 522156 | 1 | LEFT BELT GUARD | | |
| 41B | 522154 | 1 | RIGHT BELT GUARD | | |
| 42 | 105256 | 6 | 1/4 STD FLAT WASHER | | |
| 43 | 104255 | 6 | 1/4-20 NYLOC | | |

Z52

Deck Assembly

| # | PART NO. | QTY. | NAME | | |
|----|----------|------|-----------------------|--|--|
| 44 | 100274 | 12 | 5/16-18 X 1 1/4 HHCS | | |
| 45 | 523094 | 1 | SPRING MOUNT DECK | | |
| 46 | 109007 | 4 | 3/8-16 WHIZLOCK NUT | | |
| 47 | 363089 | 3 | BRONZE BUSHING | | |
| 48 | 108509 | 1 | E-RING | | |
| 49 | 522104 | 1 | OFFSET PIVOT | | |
| 50 | 106763 | 2 | 1/8" COTTER PIN | | |
| 51 | 523242 | 2 | 7/16 CLEVIS PIN-LONG | | |
| 52 | 522152 | 1 | 52" SUB-PLATE W/DMT | | |
| 54 | 523329 | 2 | FLAT IDLER | | |
| 55 | 523327 | 1 | FLOATING IDLER SPRING | | |
| 56 | 363080 | 1 | EYEBOLT-RIGHT | | |
| 57 | 522164 | 1 | TENSIONER W/BUSHING | | |
| 58 | 100300 | 1 | 3/8-16 X 3 HHCS | | |
| 59 | 523472 | 1 | DECK DRIVE BELT | | |
| 60 | 373068 | 1 | ENGAGEMENT IDLER | | |
| 61 | 583106 | 3 | SPINDLE ASSEMBLY | | |
| 62 | 363161 | 1 | BELT COVER CAP | | |
| 63 | 373089 | 1 | RT HAND IDLER SPACER | | |
| 64 | 104256 | 6 | 5/16-18 NYLOC NUT | | |
| 65 | 422105 | 1 | IDLER MOUNT WELDMENT | | |

Notes:



Z42 - Z48 - Z52

Seat Frame Assembly

| # | PART NO. | QTY. | NAME | | |
|----|----------|------|-----------------------------|--|--|
| 1 | 104255 | 7 | 1/4-20 NYLOC | | |
| 2 | 453090 | 2 | CLAMP BAR | | |
| 3 | 453092 | 2 | PUMP CONTROL BAR | | |
| 4 | 100257 | 4 | 1/4-20 X 1 3/4 HHCS | | |
| 5 | 100273 | 2 | 5/16-18 X 1 HHCS | | |
| 6 | 453082 | 2 | .312 ROD END (M) | | |
| 7 | 100004 | 4 | 1/4-20 X 1 HHCS | | |
| 8 | 109000 | 4 | 1/4-20 WHIZ | | |
| 9 | 453148 | 2 | VERTICAL PUMP LINK | | |
| 10 | 109001 | 2 | 5/16 WHIZ | | |
| 11 | 104752 | 2 | 5/16-24 JAM NUT UNF | | |
| 12 | 423160 | 2 | 5/16-24 MALE ROD END | | |
| 13 | 101039 | 7 | #10-24 X 5/8 PANHEAD | | |
| 14 | 100276 | 4 | 5/16-18 X 1 3/4 HHCS | | |
| 15 | 422049 | 2 | BRAKE CRANK | | |
| 16 | 100501 | 2 | 1/4-28 1/2 | | |
| 17 | 100293 | 2 | 3/8-16 X 1 1/4 HHCS | | |
| 18 | 104256 | 12 | 5/16-18 NYLOC | | |
| 19 | 105260 | 9 | 3/8 STD FLAT WASHER | | |
| 20 | 523143 | 2 | BEARING SPACER | | |
| 21 | 523142 | 2 | NEUTRAL BEARING | | |
| 22 | 522061 | 2 | BI DIRECTIONAL BLACK W/ZERK | | |
| 23 | 453081 | 4 | 5/16 ROD END (F) | | |
| 24 | 423124 | 2 | PUMP DRIVE ROD | | |
| 25 | 423126 | 2 | ASSIST ROD | | |
| 26 | 109007 | 2 | 3/8 WHIZ LOCK | | |
| 27 | 100274 | 4 | 5/16-18 X 1 1/4 HHCS | | |
| 28 | - | - | ----- | | |
| 29 | 423182 | 1 | CONTROL TUBE SHAFT | | |
| 30 | 422021 | 2 | PIVOT PLATE W/ZERK | | |
| 31 | 422019 | 2 | PUMP CONTROL W/ZERK | | |
| 32 | 423065 | 1 | OIL EYE | | |
| 33 | 423165 | 1 | OIL BREATHER CAP | | |
| 34 | 423250 | 1 | OIL TANK | | |
| 35 | 423063 | 1 | OIL FILTER | | |
| 36 | 423064 | 1 | FILTER HEAD | | |
| 37 | 423067 | 1 | RETURN 90 DEGREE ADAPTER | | |
| 38 | 583132 | 1 | SUCTION SCREEN | | |
| 39 | 453128 | 1 | REDUCER BUSHING | | |
| 40 | 453129 | 1 | HOSE TANK TO PUMP | | |
| 41 | 523122 | 1 | LIFT CHAIN | | |
| 42 | 104257 | 3 | 3/8 NYLOC | | |
| 43 | 423115 | 1 | DECK LEFT SUPPORT | | |

Z42 - Z48 - Z52

Seat Frame Assembly

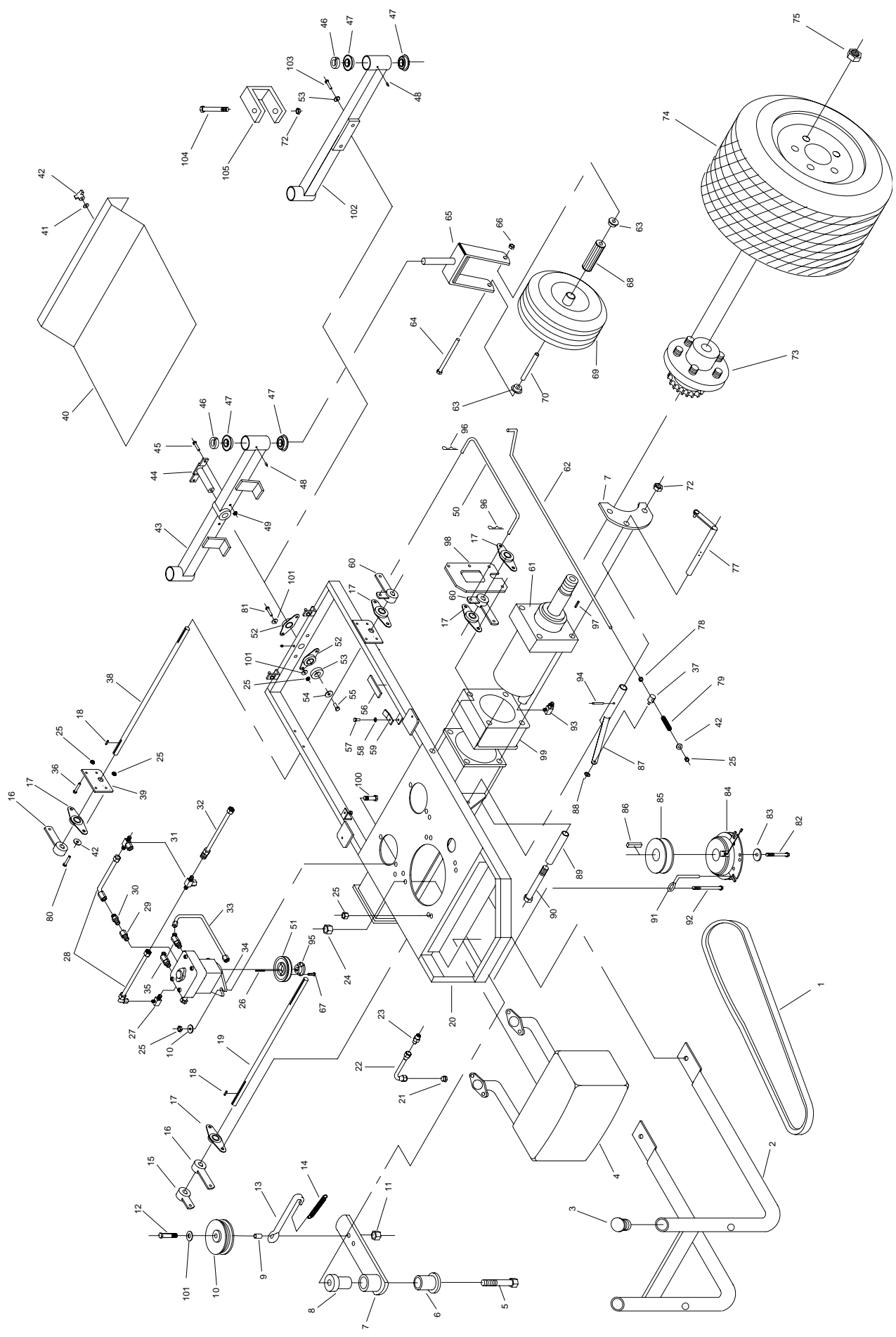
| # | PART NO. | QTY. | NAME | | |
|-----|----------|------|---------------------------------|--|--|
| 44 | 108500 | 1 | E-RING FOR 5/8 DIA | | |
| 45 | 105258 | 7 | 5/16 STD FLAT WASHER | | |
| 46 | 109025 | 1 | 5/8 HEAVY FLAT WASHER-PLTD | | |
| 47 | 363024 | 5 | COMPRESSION SPRING | | |
| 48A | 523033 | 2 | HANDLE PLUG | | |
| 48B | 523032 | 2 | HANDLE GRIP | | |
| 48C | 523017 | 2 | HANDLE | | |
| 49 | 522100 | 2 | HANDLE ASSEMBLY | | |
| 50 | 422031 | 1 | LEFT LEVER W/GRIP | | |
| 51 | 100297 | 1 | 3/8-16 X 2 1/4 HHCS | | |
| 52 | 104252 | 7 | #10-24 NYLOC | | |
| 53 | 100277 | 2 | 5/16-18 X 2 HHCS | | |
| 54 | 100254 | 2 | 1/4-20 X 1 HHCS | | |
| 55 | 422052 | 1 | LIFT SPROCKET W/BUSHING | | |
| 56 | 253059 | 1 | ENGAGEMENT BUSHING | | |
| 57 | 362033 | 1 | BELL CRANK MOUNT | | |
| 58 | 422058 | 1 | LIFT BRACKET W/LDMT | | |
| 59 | 100271 | 12 | 5/16-18 X 3/4 HHCS | | |
| 60 | 523112 | 2 | 5/16 CLAMP COLLAR | | |
| 61 | 523044 | 1 | SEAT CABLE | | |
| 62 | 363087 | 1 | TRANS SHAFT SPACER | | |
| 63 | 363208 | 1 | OPC SWITCH | | |
| 64 | 422099 | 1 | SEAT PLATE | | |
| 65 | 102000 | 13 | SELF TAPPING SCREW #12-24 X 5/8 | | |
| 66 | 523014 | 1 | HOUR METER MOUNT | | |
| 67 | 523030 | 1 | SEAT SWITCH | | |
| 68 | 422101 | 1 | SEAT FRAME | | |
| 69 | 100263 | 1 | 1/4-20 X 3 1/4 HHCS | | |
| 70 | 523144 | 2 | NEUTRAL PIVOT BUSHING | | |
| 71 | 422033 | 1 | LEFT NEUTRAL ARM | | |
| 71 | 422035 | 1 | RIGHT NEUTRAL ARM | | |
| 72 | 523283 | 1 | HOUR METER | | |
| 73 | 253025 | 2 | RETAINING WASHER | | |
| 74 | 423060 | 2 | NEUTRAL ARM SPRING | | |
| 75 | 105256 | 2 | 1/4 - STP FLAT WASHER | | |
| 76 | 523278 | 2 | SEAT SPRING | | |
| 77 | 523105 | 1 | SEAT HINDGE | | |
| 78 | 423184 | 2 | FRONT FENDER MOUNT | | |
| 79 | 422096 | 1 | FUEL TANK BRACKET | | |
| 80 | 363098 | 2 | GAS LINE CLAMP | | |
| 81 | 363228 | 1 | SHORT FUEL LINE | | |
| 82 | 363269 | 1 | FUEL VALVE CLAMP | | |
| 83 | 363031 | 1 | FUEL SHUT-OFF VALVE | | |

Z42 - Z48 - Z52

Seat Frame Assembly

| # | PART NO. | QTY. | NAME | | |
|------|----------|------|--------------------------|--|--|
| 84 | 363257 | 1 | FUEL CAP W/GASKET | | |
| 85 | 423163 | 1 | GAS TANK | | |
| 86 | 101317 | 2 | 1/4-20 4 1/2 MACH SCREW | | |
| 87 | 363202 | 2 | TANK BAND | | |
| 88 | 423246 | 1 | SEAT | | |
| 88A | 593097 | | ARM REST PADS | | |
| 89 | 422060 | 1 | NEUTRAL ASSIST BRKT | | |
| 90 | 100305 | 1 | 3/8-16 X 4 1/2 HHCS | | |
| 91 | 105264 | 2 | 1/2 STD FLAT WASHER PLTD | | |
| 92 | 363105 | 1 | IDLER BUSHING | | |
| 93 | 422028 | 1 | BRAKE LEVER W/GRIP | | |
| 94 | 363165 | 3 | #2 HAIR PIN | | |
| 95 | 363029 | 1 | .312 ROD SWIVEL | | |
| 96 | 363142 | 1 | BRAKE LINKAGE | | |
| 97 | 100303 | 2 | 3/8-16 X 4 HHCS | | |
| 98 | 105267 | 2 | 5/8 SAE WASHER | | |
| 99 | 111004 | 2 | 1/4-28 ZERK | | |
| 100 | 522095 | 1 | LH PIVOT ROD WLDMT | | |
| 100 | 522060 | 1 | RH PIVOT ROD WLDMT | | |
| 101 | 523031 | 1 | PTO SWITCH | | |
| 102 | 523222 | 2 | CONTROL LEVER ANGLE | | |
| 103 | 523028 | 2 | ASSIST SPRINGS | | |
| 104 | 423235 | 1 | RIGHT FENDER | | |
| 104 | 423236 | 1 | LEFT FENDER | | |
| 105 | 104259 | 2 | 1/2-13 NYLOC | | |
| 106 | 363159 | 2 | NYLON BUSHING | | |
| 107A | 423242 | 1 | RIGHT FENDER SKIRT | | |
| 107B | 423244 | 1 | LEFT FENDER SKIRT | | |

Notes:



Z42 -Z48 - Z52

Main Frame Assembly

Z48 & Z52 ONLY

Z52 ONLY

| # | PART NO. | QTY. | NAME | | |
|-----|----------|------|---------------------------------------|---|--|
| 1 | 423272 | 1 | PUMP BELT - Z | | |
| 2 | 422068 | 1 | SKID BRACKET | | |
| 3 | 523033 | 2 | HANDLE PLUG | | |
| 4A | 423019 | 1 | MUFFLER W/DEFLECTOR (B&S 16,18,20 HP) | | |
| 4B | 423278 | 1 | MUFFLER W/DEFLECTOR (KAW 17 HP) | | |
| 4C | 483089 | 1 | MUFFLER W/DEFLECTOR (KAW 19,21 HP) | | |
| 5 | 100300 | 1 | 3/8"-16 X 3" HEX BOLT | | |
| 6 | 523111 | 1 | 3/4" PLASTIC BUSHING | | |
| 7 | 422025 | 1 | TENSIONER WELDMENT | | |
| 8 | 423175 | 1 | PUMP IDLER PIVOT | | |
| 9 | 363174 | 1 | EYEBOLT SPACER | | |
| 10 | 523328 | 1 | FLAT IDLER | | |
| 11 | 109007 | 1 | 3/8"-16 WHIZLOCK NUT | | |
| 12 | 100295 | 1 | 3/8"-16 X 1 3/4" HEX BOLT | | |
| 13 | 423122 | 1 | PUMP TENSION ROD | | |
| 14 | 553007 | 1 | IDLER SPRING | | |
| 15 | 422056 | 1 | SPRING ASSIST ARM | | |
| 16 | 422041 | 2 | DECK LIFT ARM | | |
| 17 | 423140 | 5 | 3/4" 2 BOLT BEARING | | |
| 18 | 107255 | 5 | 3/16" X 3/16" X 1" MACHINED KEY | | |
| 19 | 423096 | 1 | REAR DECK LIFT SHAFT | | |
| 20 | 422008 | 1 | MAIN FRAME WELDMENT | | |
| 21 | 523065 | 1 | ENGINE DRAIN PLUG | | |
| 22 | 523064 | 1 | ENGINE DRAIN LINE | | |
| 23 | 423070 | 1 | OIL DRAIN ADAPTOR | | |
| 24 | 104256 | 8 | 5/16" - 18 NYLOC NUT | | |
| 25 | 104257 | 7 | 3/8" - 16 NYLOC NUT | | |
| 26 | 453102 | 2 | PUMP KEY | | |
| 27 | 453074 | 2 | 90 DEGREE ADAPTER | | |
| 28 | 453127 | 2 | PUMP TO PUMP FEED LINE | | |
| 29 | 453111 | 2 | PUMP INLET ADAPTOR | | |
| 30 | 453110 | 2 | PUMP INLET CONNECTOR | | |
| 31 | 453106 | 2 | SWIVEL TEE | | |
| 32 | 423066 | 1 | RETURN HOSE | | |
| 33A | 423035 | 2 | OUTSIDE LINE | | |
| 33B | 423036 | 1 | RIGHT HAND INSIDE LINE | | |
| 33C | 423037 | 1 | LEFT HAND INSIDE LINE | | |
| 33D | 483063 | 1 | LEFT HAND INSIDE LINE | X | |
| 33E | 483064 | 1 | LEFT HAND OUTSIDE LINE | X | |
| 33F | 483065 | 1 | RIGHT HAND INSIDE LINE | X | |
| 33G | 483066 | 1 | LEFT HAND INSIDE LINE | X | |
| 34 | 453087 | 2 | PUMP V (BDP-10L) | | |
| 35 | 423031 | 1 | 45 DEGREE PRESSURE ADAPTOR | | |

Z42 -Z48 - Z52

Main Frame Assembly

Z48 & Z52 ONLY

Z52 ONLY

| # | PART NO. | QTY. | NAME | | |
|-----|----------|------|-----------------------------|---|--|
| 36 | 100276 | 6 | 5/16"-18 X 1 3/4" HEX BOLT | | |
| 37 | 423130 | 2 | PARK BRAKE SWIVEL | | |
| 38 | 423098 | 1 | FRONT DECK LIFT SHAFT | | |
| 39 | 423194 | 2 | BEARING MOUNT PLATE | | |
| 40 | 423042 | 1 | FLOOR PAN | | |
| 41 | 105258 | 6 | 5/16" FLAT WASHER | | |
| 42 | 753028 | 2 | KNOB | | |
| 43 | 422010 | 1 | FRONT AXLE | | |
| 44 | 422014 | 1 | ROCKER AXLE PIN | | |
| 45 | 100258 | 2 | 1/4"-20 X 2" HEX BOLT | | |
| 46 | 423071 | 2 | 7/8" CLAMP COLLAR | | |
| 47 | 423109 | 4 | 7/8" FLANGE BEARING | | |
| 48 | 111001 | 2 | 1/8" NPT GREASE ZERK | | |
| 49 | 109000 | 2 | 1/4"-20 WHIZLOCK NUT | | |
| 50 | 423120 | 1 | DECK LIFT ROD | | |
| 51 | 423177 | 2 | PUMP PULLEY | | |
| 52 | 423141 | 2 | 1" 2 BOLT BEARING | | |
| 53 | 373089 | 1 | RETAINING WASHER | | |
| 54 | 753027 | 1 | 3/8" DISC SPRING WASHER | | |
| 55 | 100292 | 1 | 3/8"-16 X 1" HEX BOLT | | |
| 56 | 363201 | 5 | TANK PAD | | |
| 57 | 100252 | 2 | 1/4"-20 X 3/4" HEX BOLT | | |
| 58 | 104255 | 2 | 1/4"-20 NYLOC NUT | | |
| 59 | 363297 | 2 | SELF FORMING CLIP | | |
| 60 | 422043 | 2 | DECK LIFT CRANK | | |
| 61A | 453153 | 2 | WHEEL MOTOR | X | |
| 61B | 423034 | 2 | REAR PORT WHEEL MOTOR (Z42) | | |
| 62 | 423128 | 2 | PARK BRAKE LINK | | |
| 63 | 423201 | 4 | BEARING RETAINER | | |
| 64 | 100339 | 2 | 1/2"-13 X 6" | | |
| 65 | 422016 | 2 | FRONT CASTER YOKE | | |
| 66 | 104259 | 2 | 1/2"-13 NYLOC NUT | | |
| 67 | 100252 | 1 | 1/4"-20 X 3/4" HEX BOLT | | |
| 68 | 423200 | 2 | WHEEL BEARING | | |
| 69 | 423103 | 2 | FRONT CASTER COMPLETE | | |
| 70 | 363307 | 2 | FRONT AXLE TUBE | | |
| 71 | 423162 | 2 | BRAKE MOUNT BRACKET | | |
| 72 | 104259 | 8 | 1/2"-13 NYLOC NUT | | |
| 73 | 423082 | 2 | WHEEL HUB W/SPROCKET | | |
| 74A | 523306 | 2 | 20" WHEEL & TIRE ASSY | | |
| 74B | 823183 | 2 | WHEEL & TIRE ASSY | X | |
| 75 | 103023 | 10 | LUG NUT 1/2"-20 UNF | | |
| 76 | 104511 | 2 | 3/4"-16 UNF HEX NUT | | |

Z42 -Z48 - Z52

Main Frame Assembly

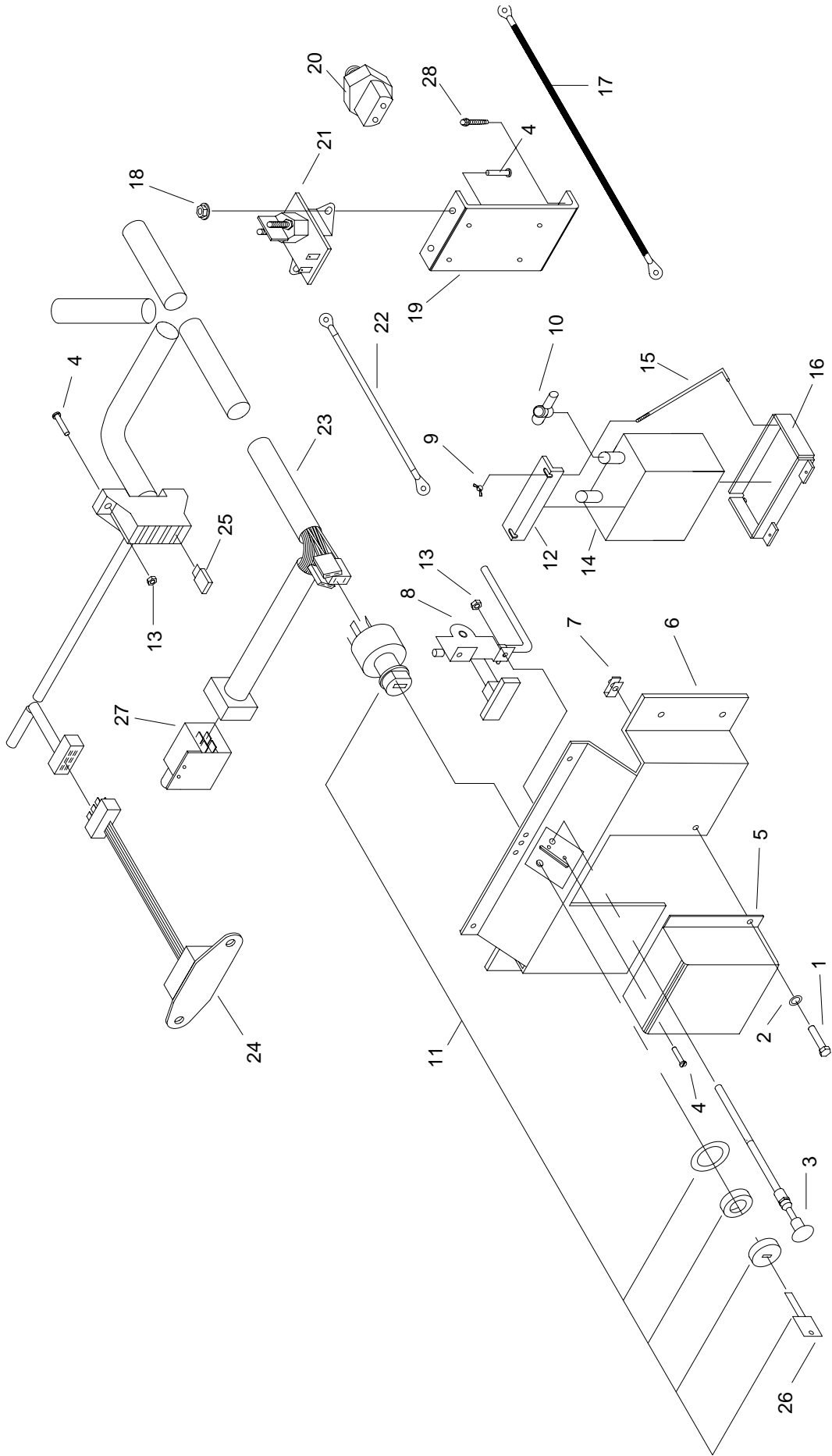
Z48 & Z52 ONLY

Z52 ONLY

| # | PART NO. | QTY. | NAME | | |
|-----|----------|------|---------------------------|---|---|
| 77A | 422082 | 1 | RIGHT HAND BRAKE CLAW | | |
| 77B | 422084 | 1 | LEFT HAND BRAKE CLAW | | |
| 77C | 482039 | 1 | LEFT HAND BRAKE CLAW | X | |
| 77D | 482037 | 1 | RIGHT HAND BRAKE CLAW | X | |
| 78 | 523112 | 2 | 5/16" CLAMP COLLAR | | |
| 79 | 523024 | 1 | DECK DRIVE SPRING | | |
| 80 | 100271 | 6 | 5/16"-18 X 3/4" HEX BOLT | | |
| 81 | 100299 | 2 | 3/8"-16 X 2 3/4" HEX BOLT | | |
| 82 | 100536 | 1 | 7/16"-20 X 3" HEX BOLT | | |
| 83 | 423069 | 1 | 7/16" DISC SPRING WASHER | | |
| 84 | 423285 | 1 | ELECTRIC CLUTCH | | |
| 85 | 423231 | 1 | ENGINE PULLEY | | |
| 86 | 107258 | 1 | 1/4" X 1/4" X 3/4" | | |
| 87A | 422037 | 2 | BRAKE ARM WELDMENT | | |
| 87B | 482022 | 2 | BRAKE ARM WELDMENT | X | |
| 88 | 363177 | 2 | 3/8" PUSH NUT | | |
| 89 | 423193 | 8 | MOTOR SUPPORT TUBE | | |
| 90A | 100340 | 8 | 1/2"-13 X 6 1/2" HEX BOLT | | |
| 90B | 100344 | 8 | 1/2"-13 X 9 1/2" HEX BOLT | | |
| 91 | 373070 | 2 | BELT GUIDE LONG | | |
| 92 | 100277 | 1 | 5/16"-18 X 2" HEX BOLT | | |
| 93A | 453113 | 4 | PUMP ELBOW | | |
| 93B | 523058 | 4 | RETURN ADAPTOR | X | |
| 94 | 103016 | 2 | 3/32" X 1" GROOVE | | |
| 95 | 423178 | 2 | TAPER LOCK HUB | | |
| 96 | 363165 | 2 | #2 HAIR COTTER PIN | | |
| 97 | 107012 | 2 | #808 WOODRUFF KEY | | |
| 98 | 423216 | 1 | BRACE PLATE | | |
| 99 | 452026 | 2 | MOTOR EXTENSION | X | |
| 100 | 100293 | 4 | 3/8"-16 X 1 1/4" HEX BOLT | | |
| 101 | 105259 | 5 | 3/8" FLAT WASHER | | |
| 102 | 522158 | 1 | FRONT AXLE | | X |
| 103 | 100307 | 2 | 3/8"-16 X 5 1/2 HEX BOLT | | X |
| 104 | 100334 | 2 | 1/2"-13 X 3 1/2" HEX BOLT | | X |
| 105 | 523481 | 2 | AXLE MOUNT | | X |

SERVICE KITS

| # | PART NO. | QTY. | NAME |
|---|----------|------|----------------------|
| A | 453154 | X | WHEEL MOTOR SEAL KIT |
| B | 453146 | X | 10L PUMP SEAL KIT |



Z42 - Z48 - Z52

Electrical Controls

BRIGGS

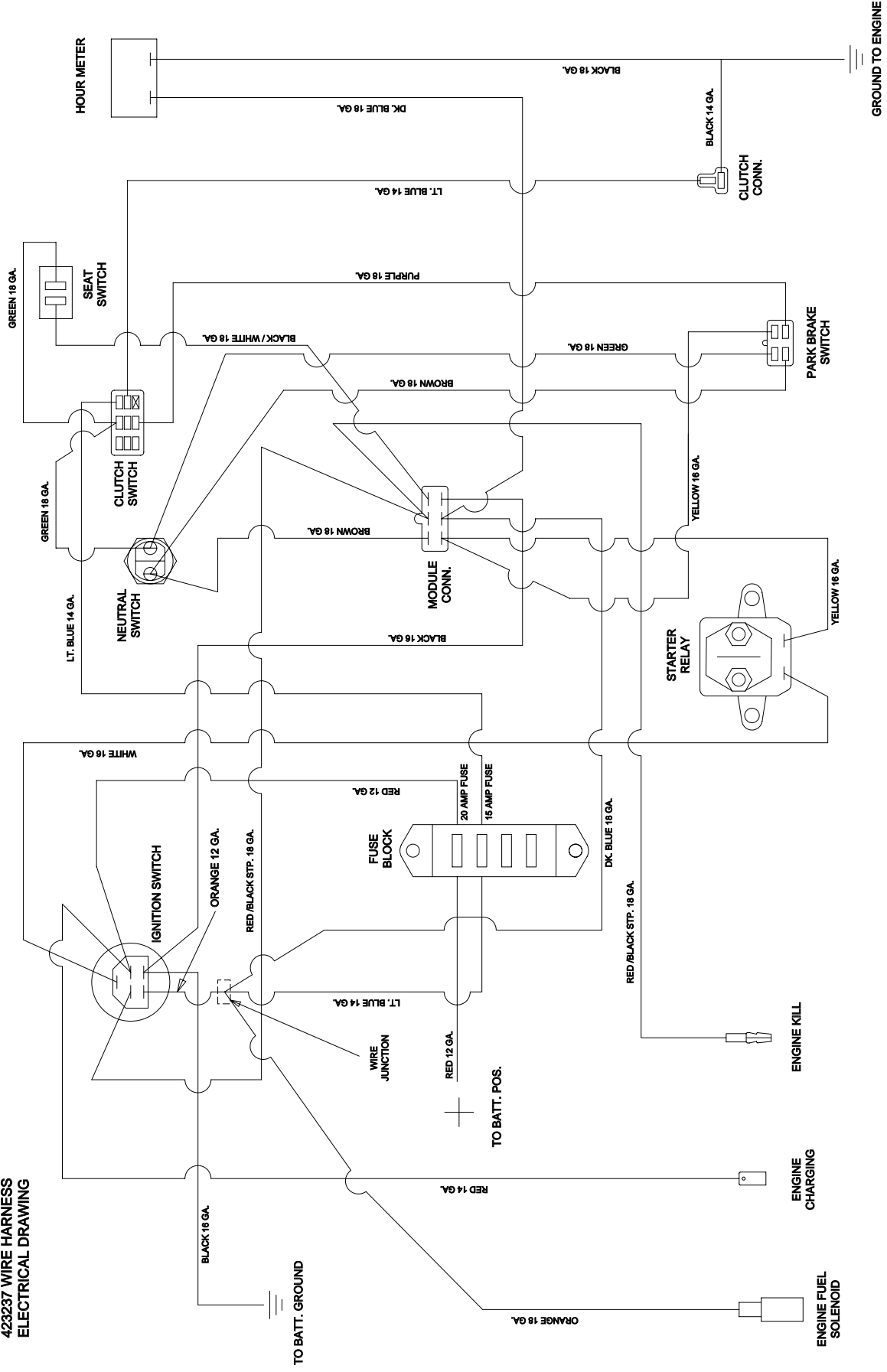
KAWASKI

| # | PART NO. | QTY. | NAME | BRIGGS | KAWASKI |
|-----|----------|---------|---------------------------------|--------|---------|
| 1 | 100251 | 2 | 1/4 X 5/8 HEX HD BOLT | | |
| 2 | 105256 | 2 | 1/4 STD FLAT WASHER | | |
| 3 | 423153 | 1 | CHOKE CABLE | | |
| 4 | 101039 | 9 | #10-24 X 5/8 MACH SCREW | | |
| 5 | 423075 | 1 | BATTERY COVER | | |
| 6 | 423044 | 1 | SEAT PANEL | | |
| 7 | 109015 | 2 | 1/4-20 NUT CLIP | | |
| 8A | 423254 | 1 | THROTTLE CONTROL | | X |
| 8B | 523038 | 1 | THROTTLE CONTROL | X | |
| 9 | 109012 | 2 | 1/4-20 LOCKING WING NUT | | |
| 10 | 423158 | 3 | TERMINAL INSULATOR | | |
| 11 | 423027 | 1 | IGNITION SWITCH ASSY | | |
| 12 | 423011 | 1 | HOLD-DOWN ANGLE | | |
| 13 | 104252 | 7 | #10-24 NYLOC NUT | | |
| 14 | 423142 | 1 | BATTERY, 12V | | |
| 15 | 423172 | 2 | BATTERY HOLD-DOWN | | |
| 16 | 422064 | 1 | BATTERY TRAY | | |
| 17 | 423118 | 1 | NEGATIVE CABLE | | |
| 18 | 109003 | 2 | #10-24 WIZLOCK NUT | | |
| 19 | 423132 | 1 | ELECTRIC PANEL | | |
| 20 | 363208 | 1 | OPC SWITCH | | |
| 21 | 423017 | 1 | STARTER RELAY | | |
| 22A | 423116 | 1 | POSITIVE CABLE SHORT | | |
| 22B | 423117 | 1 | POSITIVE CABLE LONG | | |
| 23A | 423078 | 1 | WIRE HARNESS (BRIGGS) | X | |
| 23B | 423237 | 1 | WIRE HARNESS (KAW) | | X |
| 24 | 423030 | 1 | SAFETY MODULE | | |
| 25A | 523145 | 1 | 20 AMP FUSE | | |
| 25B | 523146 | 1 | 15 AMP FUSE | | |
| 26 | 423209 | SERVICE | IGNITION KEY | | |
| 27 | 523034 | 1 | PARK BRAKE SWITCH | | |
| 28 | 102000 | 2 | #12-24 X 5/8 SELF TAPPING SCREW | | |

Notes:

42K450Z , 48K550Z , 52K650Z

423237 WIRE HARNESS
ELECTRICAL DRAWING



Z42 - Z48 - Z52

Decal List

| # | PART NO. | QTY. | NAME | | |
|----|----------|------|----------------------|--|--|
| 1 | 423255 | 2 | Z42 DECAL | | |
| 2 | 483077 | 2 | Z48 DECAL | | |
| 3 | 523495 | 2 | Z52 DECAL | | |
| 4 | 363214 | 1 | PRO-LINE DECAL | | |
| 5 | 423155 | 1 | RIDER CAUTION DECAL | | |
| 6 | 423156 | 1 | PARK LEVER DECAL | | |
| 7 | 423157 | 1 | CUTTING HEIGHT DECAL | | |
| 8 | 523021 | 1 | PTO DECAL | | |
| 9 | 423196 | 1 | BELT ROUTING DECAL | | |
| 10 | 363023 | 2 | DANGER DECAL | | |
| 11 | 363001 | 1 | CAUTION DECAL | | |
| 12 | 363290 | 1 | REFUEL CAUTION LABEL | | |
| 13 | 453010 | 1 | OIL DECAL | | |
| 14 | 453009 | 1 | ENCORE W/LOGO | | |
| 15 | 423197 | 1 | CONTROL DECAL | | |

Notes:

Notes:

Notes:

Notes:

Notes:

